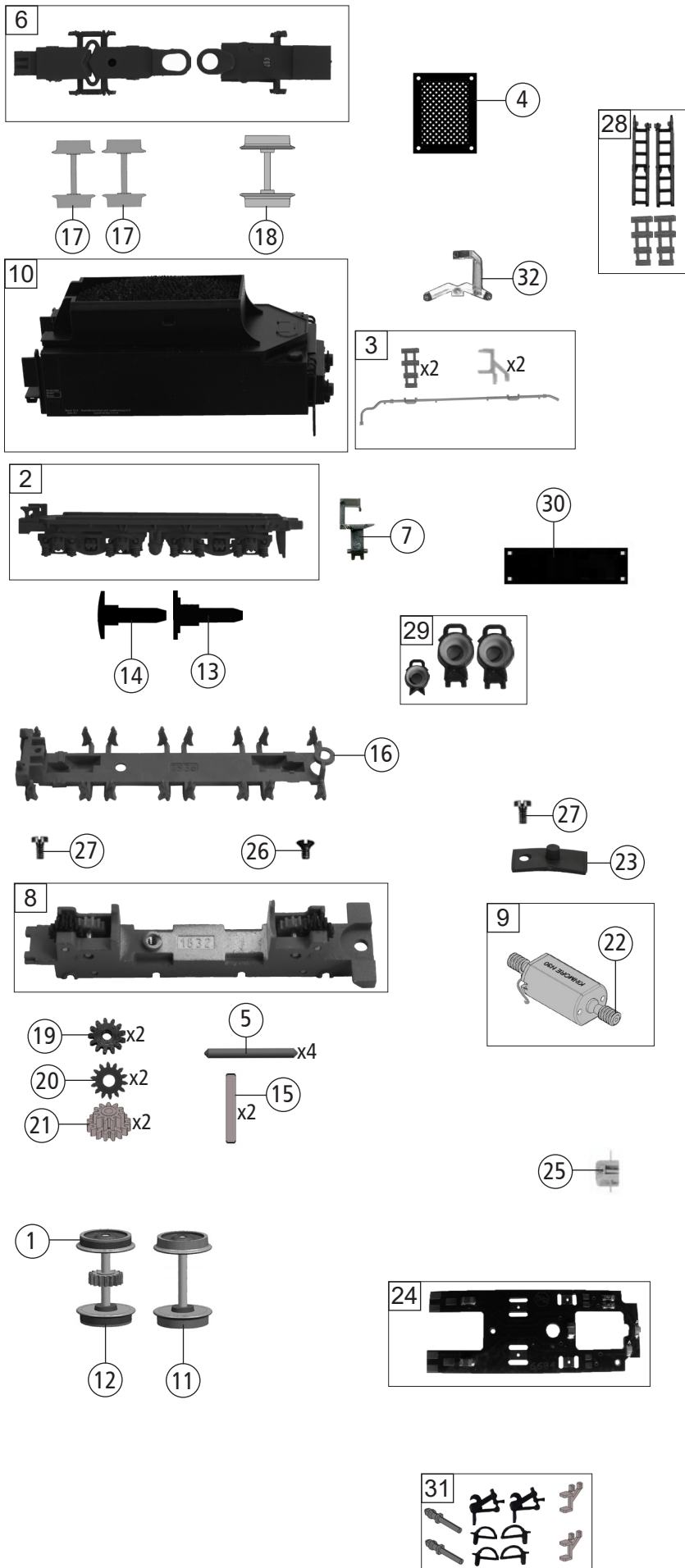


Pos. Nr. Pos.no.	Beschreibung Description	Art.-Nr. Art.no.	Preisgruppe Price bracket
714501	DR BR 01	=	N
714571		=	N
1	KESSEL KPL. BETR. NR. 01 2226-7 Boiler compl. Loco no 01 2226-7	10714501	32
2	UMLAUFBLECH Running board	45714501	26
3	TS-PUMPEN Part set-Pumps	81714503	11
4	LICHTLEITER OBEN+UNTEN Light conductor upper+lower	13714505	7
5	WINDLEITBLECH LI.+RE. Wind deflector L+R	17714503	8
6	ACHSE Axle	00527007	1
7	LOKFAHRGESTELL M. RÄDERN Loco chassis with wheels	31714501	28
8	TS-KUPPELSTANGEN Part set-Coupling rods	32714505	18
9	DECKPLATTE OBEN+UNTEN Cover plate upper+lower	43714505	11
10	FENSTER FÜHRERHAUS LI.+RE. Cabine windows L+R	14714401	5
11	TREIBRAD LI. Driving wheel L	517145051	7
12	TREIBRAD RE. Driving wheel R	517145052	7
13	KUPPELRAD Coupled wheel	517145053	7
14	SCHRAUBE M 1,6x5 mm Screw	110008	3
15	BLECHSCHRAUBE M.KREUZSCHLITZ Tapping screw	00713309	1
16	BOLZEN F. KUPPELSTANGE Bolt for coupling rod	00730562	2
17	PUFFER FLACH Buffer flat	00757012	2
18	PUFFER GEWÖLBT Buffer vaulted	00757011	2
19	STEUERUNG KPL. Reversing gear complete	42714501	32
20	LOKPLATINE KPL. Loco PCB compl.	65714505	21
21	BRÜCKENSTECKER NEXT18 Jumper	149978	17
22	TS-KESSEL Part set-Boiler	81714505	10
23	TS-SANDKASTENDECKEL, LSP.-AUFN. Part set-Sandbox cover, loudsp. reception	19714575	9
24	DEICHSEL Draw bar	38714505	6
25	ZUGFEDER D=2 L=2,5/6 mm W=25 Draw spring	109832	3
26	REICHSBAHNLAMPE (LOK) Reichsbahn lamp	197144022	6
27	TS-SCHIENENRÄUMER Part set-Railguard	22714505	12
28	HANDRAD Handwheel	19714402	3
29	LINSENSCHRAUBE M1,6x2/4,8 mm Button screw	00704902	2
Sound			
30	TRIEBVERKSBELEUCHTUNG Engine illumination	65714575	14
31	LAUTSPRECHER Loudspeaker	68702500	16
32	SOUNDDECODER Sound decoder	68159018	39

Änderungen in Konstruktion und Ausführung vorbehalten
We reserve the right to change the construction and specification



Pos. Nr. Pos.no.	Beschreibung Description	Art.-Nr. Art.no.	Preisgruppe Price bracket
714501	DR BR 01	=	N
714571		=	N
1	HAFTREIFEN D=5,5 B=1,3 mm Traction tyre	00547001	1
2	TENDERRAHMEN Tender framework	21714501	12
3	TS-LEITERN,... Part set-Ladders,...	22714402	8
4	SCHUTZGITTER Protective grille	197144024	8
5	ACHSE Axle	00527009	1
6	VOR+NACHLAUFGESTELL Front+rear carrying wheels	37714505	9
7	KUPPLUNG N-SPUR Coupling	98189	6
8	TENDERFAHRGESTELL M. ZAHNRÄDER Tender chassis with gear wheels	41714401	19
9	MOTOR M. SCHNECKE Motor w. wormgear	50714505	23
10	TENDERGEHÄUSE KPL. Tender body complete	20714501	30
11	RADSATZ O.Z. Wheelset w/o gear wheel	53718500	10
12	RADSATZ M.Z.M.N. Wheelset w. gear wheel w. groove	53718400	11
13	PUFFER FLACH Buffer flat	00757012	2
14	PUFFER GEWÖLBT Buffer vaulted	00757011	2
15	ZAHNRADACHSE D=1,5 L=5,7 mm Axle for gearwheel	144134	4
16	TENDER DECKPLATTE UNTEN Tender lower cover plate	43714401	4
17	VORLAUFRADESATZ Carrying wheelset compl.	00537046	11
18	NACHLAUFRADESATZ Carrying wheelset (rear)	00537020	12
19	ZAHNRAD Z=9/14 Gearwheel	00567145	6
20	ZAHNRAD Z=14 Gearwheel	86496	3
21	ZAHNRAD Z=11/16 Gearwheel	56720100	4
22	SCHNECKE Worm gear	56762510	6
23	MOTORHALTER Motor holder	50792400	3
24	LEITERPLATTE KPL. (TENDER) PCB complete	65724700	17
25	ADAPTER Adaptor	00387009	5
26	GF-SCHRAUBE M 1,6x4 mm GF - screw	114850	3
27	SK-SCHRAUBE M 1,6x3 mm SK-Screw	125023	3
28	TTS-LEITERN+TREPPEN Part set-Ladders	22714401	6
29	TS - REICHSBAHNLAMPEN Part set - REICHSBAHN lamps	197144023	17
30	NUMMERTAFEL Number plate	18714501	8
31	ZURÜSTBEUTEL Bag of accessories	19714505	15
32	LICHTLEITER TENDER 2 LICHT Light conductor for tender	144684	4